

Broadband 2-Way Power Divider

Model MDC2270; 5 GHz - 40 GHz in a Single Package

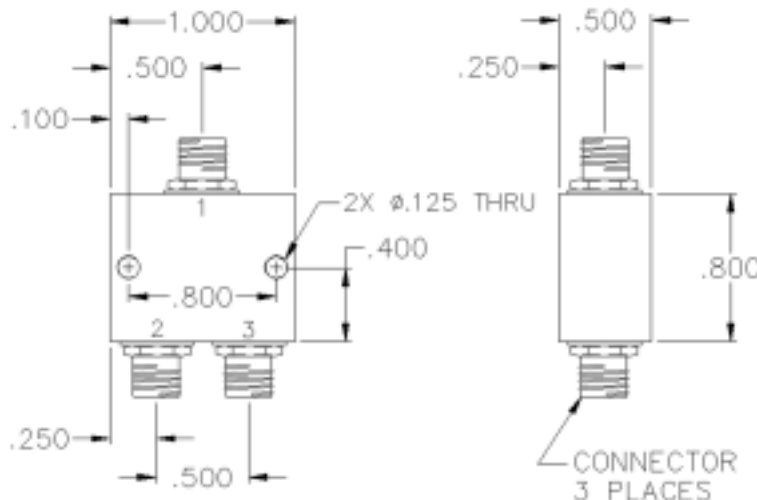
Features

- 5 - 40 GHz Operation
- 2.92 mm connectors
- 30 watts input power*
- Compact size
- * Load VSWR \leq 1.20:1

A broadband 2-Way Power Divider such as the MDC2270 offers certain advantages. It can replace up to 3 narrower band units in test environments, and eliminate the need to constantly modify laboratory setups. Further, a single unit is more cost-effective than two or three separate units. The 2.92 mm connectors used on the MDC2270 electrically and mechanically mate with both the SMA and 3.5 mm series.

Full Band Performance Summary

Parameter	Specification
Frequency Range	5 - 40 GHz
Insertion Loss	2 dB maximum
Isolation	13 dB minimum
Amplitude Balance	1.0 dB maximum
Phase Balance	10° maximum
VSWR	1.90:1 maximum



Type N Directional Couplers

2 - 18 GHz, Type N, Low VSWR

Features

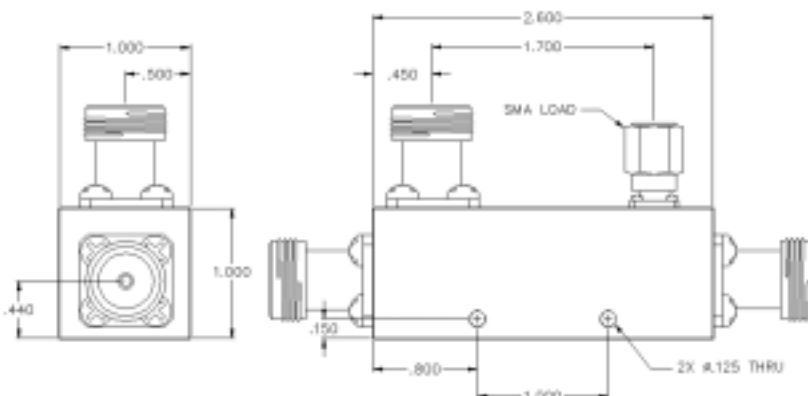
- 2 - 18 GHz Operation
- Precision N connectors
- Low VSWR
- 25 watts input power*
- Compact size
- * Load VSWR \leq 1.20:1

Midisco now offers multi-octave directional couplers to 18 GHz using precision type N female connectors. Designated the MDC4269N – (dB) series, they are currently available in 8, 10, and 20 dB values with a VSWR of 1.50:1 maximum. Insertion loss is 0.8 dB maximum in all cases, with a flatness of \pm 0.5 dB. Custom values are available. Consult factory.

(dB): Insert coupling value required.

Performance Summary

Parameter	Specification
Frequency	2 - 18 GHz
Insertion Loss	0.8 dB maximum
Coupling Accuracy	\pm 1.0 dB minimum
Flatness	\pm 0.5 dB maximum
Coupling Values	8, 10, 20 dB
VSWR	1.50:1 maximum
Directivity (minimum)	2-12 GHz: 15 dB 12-18 GHz: 12 dB



MIDISCO

www.midisco.net • email: sales@midisco.net

1-866-MIDISCO • In New York: 631-589-8035 • FAX: 631-589-8167