

Rotary Attenuators

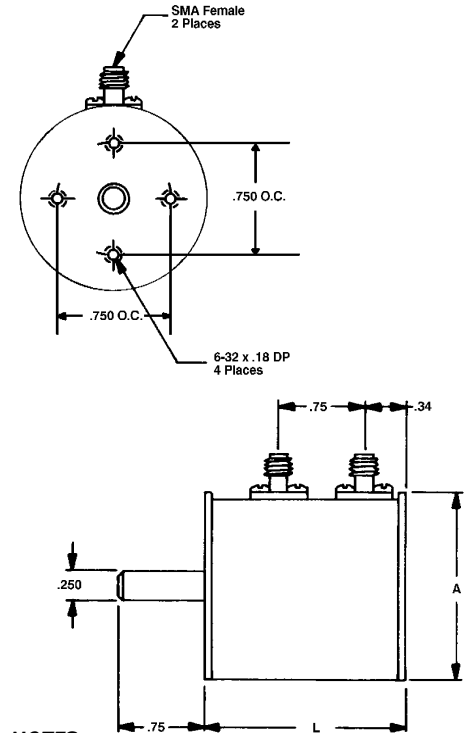
50 & 75 Ohm

Features

- Rugged Construction
- SMA, BNC, N, or F connectors
- Excellent electrical performance
- Dual Concentric Types Available
- Low Cost

MIDISCO Rotary Step Attenuators are available in sufficient variety to satisfy most requirements. Rugged construction (MDC2017S-117 has a life design of 100,000 cycles minimum) is apparent in all models. Other connector types may be ordered as well as dual concentric types in 50 and 75 ohms. Delivery is from stock.

Model	Atten. Range	Nom. Imped.	VSWR/Insertion Loss (dB) max.	Attenuation Accuracy (dB)	L (inches)	A (inches)
MDC2017S-49 ¹ DC-1000 MHz	0 to 1 dB ⁴ 0.1 dB steps	50 Ω	DC-1000: 1.2/0.7	DC-30: 0.01 30-500: 0.03 500-1000: 0.05	2.00	1.50
MDC2017S-270 ¹ DC-2500 MHz	0 to 1 dB ⁴ 0.1 dB steps	50 Ω	DC-1100: 1.2/1.0 1100-2500: 1.4/1.0	0.05	2.00	1.50
MDC2017S-40 ¹ DC-2200 MHz	0 to 10 dB ⁴ 1 dB steps	50 Ω	DC-1000: 1.2/0.2 1000-2200: 1.4/0.4	DC-1000: 0.2 1000-2200: 0.4	2.00	1.50
MDC2017S-50 ^{1,7} DC-2200 MHz	0 to 70 dB ⁴ 10 dB steps	50 Ω	DC-1000: 1.2/0.3 1000-2000: 1.4/0.5	DC-500: 0.5 or 1% ³ 500-1000: 0.5 or 2% ³ 1000-2200: 0.5 or 3% ³	2.70	1.50
MDC2017S-64 ¹ DC-1000 MHz	0 to 100 dB ⁴ 10 dB steps	50 Ω	DC-1000: 1.2/0.3	DC-500: 0.5 or 1% ³ 500-1000: 0.5 or 2% ³	2.70	1.50
MDC2017S-104 ⁸ DC-2000 MHz	0 to 10 dB ⁴ 1 dB steps	50 Ω	DC-1000: 1.2/0.2 1000-2000: 1.4/0.4	DC-1000: 0.2 1000-2000: 0.4	1.83	1.28
MDC2017S-105 ⁸ DC-2200 MHz	0 to 60 dB ⁴ 10 dB steps	50 Ω	DC-1000: 1.2/0.3 1000-2200: 1.4/0.5	DC-500: 0.5 or 1% ³ 500-1000: 0.5 or 2% ³ 1000-2200: 0.5 or 3% ³	2.40	1.28
MDC2017S-117 ^{8,9} DC-1200 MHz	0 to 100 dB ⁴ 10 dB steps	50 Ω	DC-1200: 1.3/0.2	1.5%	2.30	1.28
MDC2017S-184 ⁸ DC-4000 MHz	0 to 10 dB ⁴ 1 dB steps	50 Ω	DC-2000: 1.3/0.25 2000-4000: 1.5/0.4	DC-1000: 0.2 1000-2000: 0.3 2000-4000: 0.4	1.75	1.63
MDC2017B-27 ² DC-500 MHz	0 to 1 dB ⁴ 0.1 dB steps	75 Ω	DC-500: 1.3/0.7	DC-30: 0.01 30-300: 0.02 300-500: 0.03	2.40	1.87
MDC2017B-23 ² DC-500 MHz	0 to 10 dB ⁴ 1 dB steps	75 Ω	DC-500: 1.3/0.4	DC-300: 0.2 300-500: 0.3	2.40	1.87
MDC2017B-22 ² DC-500 MHz	0 to 70 dB ⁴ 1 dB steps	75 Ω	DC-500: 1.3/0.4	DC-30: 0.2 30-300: 0.5 300-500: 1.0	3.00	1.87



NOTES:

- 1) SMA Female connectors are standard. Change S to B for BNC.
- 2) BNC Female connectors are standard. Change B to F for Type F.
- 3) Whichever is greater of the two is applicable.
- 4) The attenuation increases with clockwise rotation.
- 5) The attenuation increases with counterclockwise rotation.
- 6) MDC2017S-104 available with same specifications; L = 1.83"; 0.77" between centerline of connectors; SMA only.
- 7) MDC2017S-105 available (0-60dB only) with same specifications; L = 2.40"; 1.36" between centerline of connectors; SMA only.
- 8) Available in SMA only; 0.75" between centerline of connectors.
- 9) Shaft length of MDC2017S-117 is 0.62".

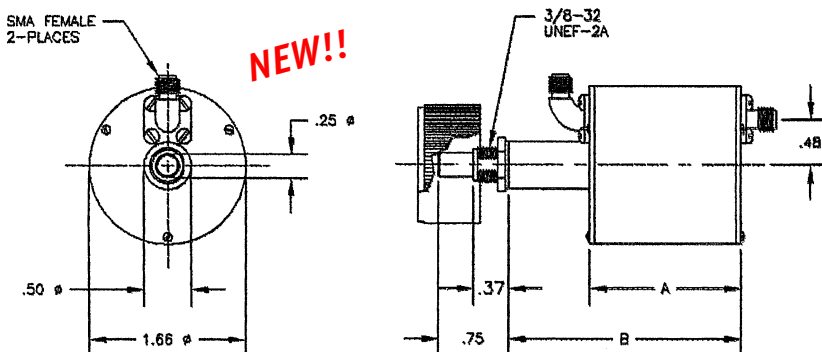
All Models have a 2 W average and a Peak Power Rating of 1 KW, except MDC2017S-184 which is 800 W.

Indexing is 30 degrees, stopping at maximum & minimum.

Operating Temperature Range is -20°C to +85°C. (0°C to +55°C for 12.4 GHz units).

Midisco introduces its new line of 12.4 GHz SMA Rotary Attenuators as shown below

Model	Frequency (GHz)	Impedance Nom (ohms)	Range, Step Size	VSWR / Insertion Loss (max)	Accuracy ± dB	Avg/Pk Pwr	A	B
MDC2017S-288	DC-12.4	50	0-9 0.1 dB steps	1.50:1/1 dB	+/- 0.35 dB	2/200	1.18	2.05
MDC2017S-291	DC-12.4	50	0-60 10 dB steps	1.50:1/1 dB	+/-0.5 dB or 5% ³	2/200	1.62	2.49



NEW!!