

Broadband Bias Tees

0.300 to 18 GHz in Single Unit

Features

- Up to 18 GHz Operation
- Power and current options
- Connectorized and Surface Mount packages available
- Higher Frequency ranges available

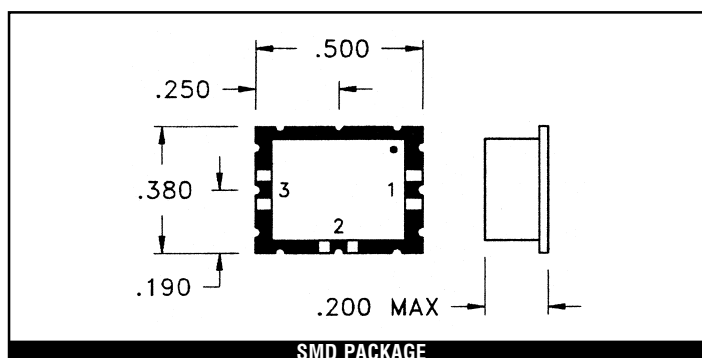
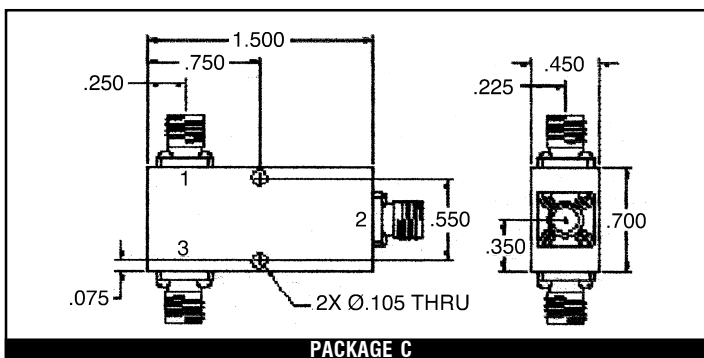
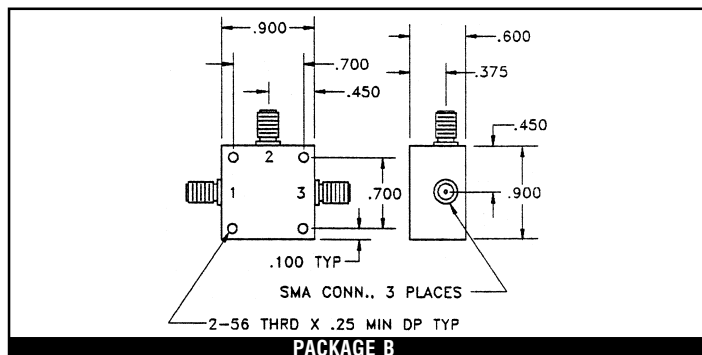
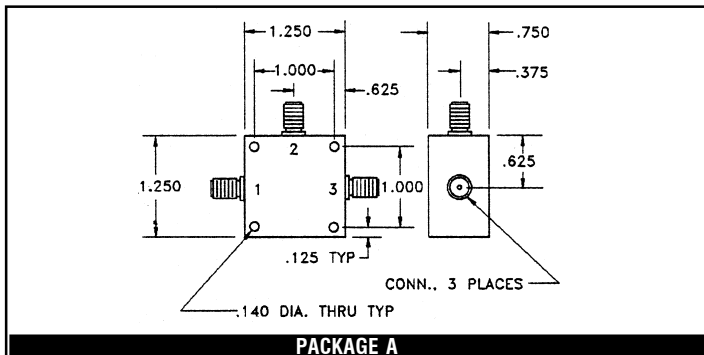
MIDISCO's catalog broadband Bias Tees are available for operation up to 18 GHz. The MDC9045-15 covers the frequency range of 0.3 to 18 GHz in a single unit. Current handling is as high as 8 amperes in standard units. Many units are also available in a 0.500 x 0.380 x 0.200 Surface Mount package. Consult factory for additional details.

Bias Tee Performance Summary

| MODEL* | FREQ (GHZ) | VSWR (MAX) | MAX. LOSS (dB) | RF POWER | CURRENT AMPERES MAX | ISOLATION (dB MIN.) | PACKAGE AVAILABILITY |
|------------|------------|------------|----------------|----------|----------------------------|---------------------|----------------------|
| MDC9045-1 | 0.01-1.0 | 1.20:1 | 1.0 | 2 WATTS | 0.200 @ 50 VDC | 25 (SMD: 20) | A, B, SMD |
| MDC9045-2 | 0.5-2.5 | 1.20:1 | 0.8 | 2 WATTS | 0.200 @ 50 VDC | 25 (SMD: 20) | A, B, SMD |
| MDC9045-3 | 0.01-4.2 | 1.20:1 | 1.6 | 2 WATTS | 0.200 @ 50 VDC | 25 (SMD: 20) | A, B, SMD |
| MDC9045-4 | 1.0-5.0 | 1.50:1 | 1.0 | 2 WATTS | 1.0 @ 50 VDC | 25 | A, B |
| MDC9045-5 | 0.01-3.0 | 1.50:1 | 1.8 | 2 WATTS | 3.0 @ 50 VDC | 25 | A |
| MDC9045-6 | 0.10-6.0 | 1.50:1 | 1.5 | 2 WATTS | 0.500 @ 50 VDC | 25 | A, B |
| MDC9045-7 | 0.425-0.80 | 1.50:1 | 0.6 | 2 WATTS | 8.0 @ 50 VDC | 25 | A |
| MDC9045-8 | 0.10-1.0 | 1.20:1 | 0.5 | 2 WATTS | 0.200 @ 50 VDC | 25 | A, B |
| MDC9045-9 | 0.80-1.0 | 1.50:1 | 0.5 | 2 WATTS | 5.0 (1.0 FOR SMD) @ 50 VDC | 30 (SMD: 20) | A, B, SMD |
| MDC9045-10 | 1.7-2.0 | 1.50:1 | 0.5 | 2 WATTS | 5.0 (1.0 FOR SMD) @ 50 VDC | 30 (SMD: 20) | A, B, SMD |
| MDC9045-11 | 0.5-3.0 | 1.50:1 | 1.8 | 2 WATTS | 2.0 (0.5 FOR SMD) @ 50VDC | 25 (SMD: 20) | A, B, SMD |
| MDC9045-12 | 0.5-10.0 | 1.50:1 | 1.8 | 2 WATTS | 0.200 @ 50 VDC | 25 | C |
| MDC9045-13 | 10.0-12.0 | 1.50:1 | 1.0 | 2 WATTS | 0.200 @ 50 VDC | 25 | B |
| MDC9045-14 | 0.8-15.0 | 1.50:1 | 1.0 | 2 WATTS | 0.200 @ 50 VDC | 25 | C |
| MDC9045-15 | 0.3-18.0 | 1.60:1 | 1.5 | 2 WATTS | 0.500 @ 50 VDC | 25 | C |

*: When a model is available in more than one package style, a suffix (A, B, or SMD) is added to the model number following the dash number. For a feed-through bias terminal in place of the SMA connector, an additional suffix "T" is used. For example, the complete model number for the MDC9045-9 in package B with a feed-through terminal becomes MDC9045-9BT.

| Pin | Function |
|-----|-----------|
| 1 | RF In |
| 2 | DC In |
| 3 | RF/DC Out |



New Products