

Resistive Power Divider

DC to 26.5 GHz. 2.9 mm Connector Configuration Options

New Products

Model Number	Max. VSWR/Insertion Loss (dB)		
	DC-26.5 GHz	DC-18 GHz	DC-12.4 GHz
MDC01111-1-(**)	1.40/2.5*	1.30/1.5*	1.20/6 Nominal
MDC01111-2-(**)	NA	1.30/1.5*	1.20/6 Nominal
MDC01111-3-(**)	NA	NA	1.20/6 Nominal

*: Loss above theoretical 6-dB split

** : Insert Code for connector configuration required

F3: 3 female

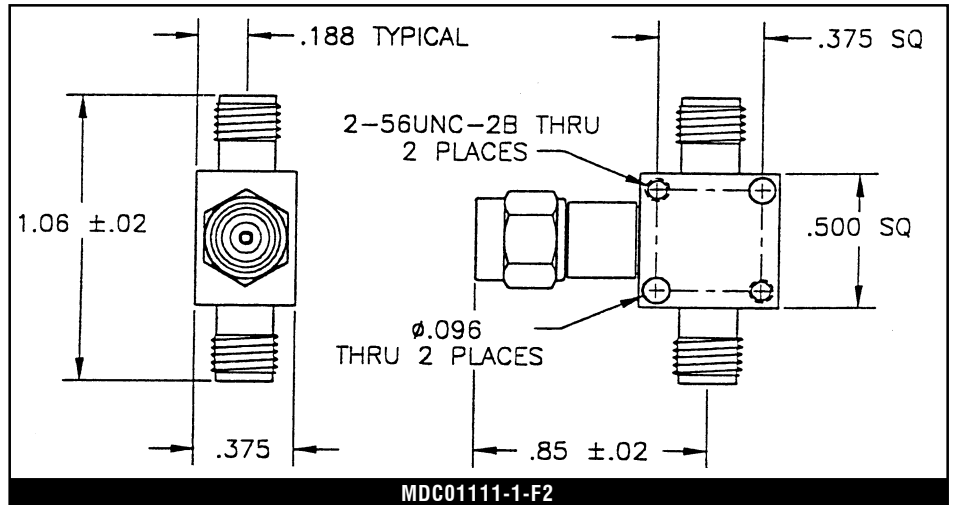
F2: 2 female, 1 male (standard, shown)

M3: 3 male

Note 1: 2.9 mm connectors mate with all SMA, KTM, and 3.5 mm connectors.

Note 2: For SMA connectors, add suffix "S" to basic model number. Standard frequencies for SMA models are 18, 12.4 and 6 GHz (-1, -2, -3 respectively). For example, an SMA unit with 2 females and 1 male connector operating to 18 GHz is model MDC01111S-1-F2.

TM: The K connector is a trademark of Wiltron Corp.



Adapto-Pads

Type N to SMA Inter-Series Attenuators - DC to 18 GHz

- DC to 18 GHz Operation
- 0-20 dB Available Values
- Accuracy +/-0.3 dB, 1 to 6 dB
+/-0.5 dB, 7 to 20 dB
- VSWR (Max): 1.10:1 to 4 GHz; 1.20:1 from 4 to 10 GHz; 1.30:1 from 10 to 18 GHz.
- Input Power: 2-Watts CW, 250-Watts Peak
- 50 Ω Impedance
- Stainless Steel Connectors
- Operating Temperature -65° C to +125° C

Model Number: (dB)
(dB): Insert dB value required

